

GRAM

KF3135-90

Fridge / Freezer

User Guide



Please read this manual first!

Dear Customer,

Your product has been produced in modern plants and checked under the most meticulous quality control and we hope that it will provide you with an effective service.

We recommend you to carefully read the entire user guide before using your product and keep the user guide at hand for future references.




This user guide

- Will help you use your appliance in a fast and safe way.
- Read the user guide before installing and operating your product.
- Follow the instructions, especially those for safety.
- Keep the user guide in an easily accessible place as you may need it later.
- Besides, read also the other documents provided with your product.

Please note that this user guide may be valid for other models as well.

Symbols and their descriptions

This user guide contains the following symbols:

-  Important information or useful tips.
-  Warning against dangerous conditions for life and property.
-  Warning against electric voltage.



This product is supplied with the selective sorting symbol for waste electrical and electronic equipment (WEEE).

This means that this product must be handled pursuant to European Directive 2002/96/EC in order to be recycled or dismantled to minimise its impact on the environment. For further information, please contact your local or regional authorities.

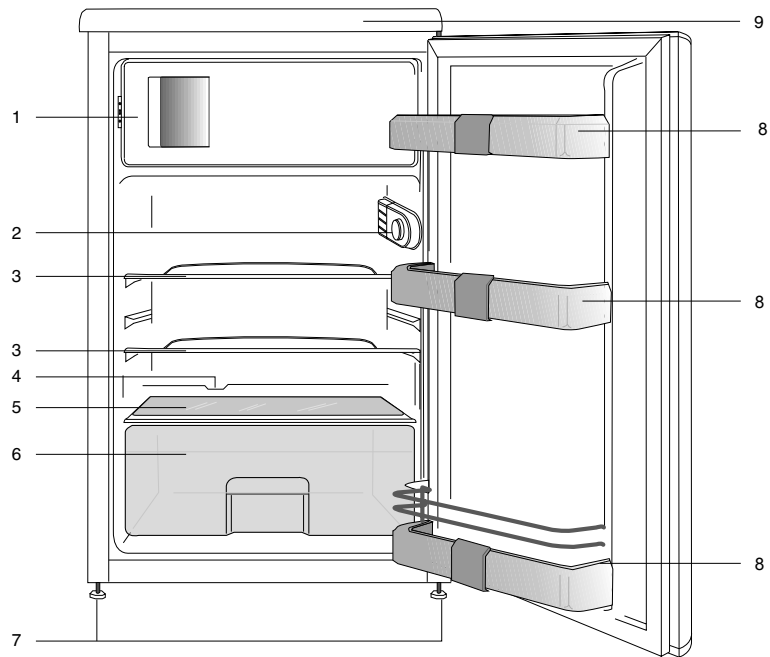


Electronic products not included in the selective sorting process are potentially dangerous for the environment and human health due to the presence of hazardous substances.

CONTENTS

1 Your fridge/freezer	3	4 Preparation	14
2 Important information	4	5 Using your fridge/ freezer	15
Intended use	4	Freezing.....	15
General safety	4	Freezing food.....	15
Energy-saving precautions.....	6	Making ice cubes	16
3 Installation	7	Defrosting the appliance	16
Points to be considered when re- transporting your fridge/freezer	7	Cooling.....	17
Before operating your fridge/freezer ...	7	Food storage	17
Electric connection	8	Using the interior compartments.....	17
Disposing of your old fridge/freezer....	8	Defrosting the appliance	17
Placing and installation	8	6 Maintenance and cleaning	18
Replacing the interior light bulb	9	Protection of plastic surfaces	18
Adjusting the legs	10	7 Recommended solutions for the problems	19
Installation (Under the counter)	10		
How to reverse the door	12		
Door in the freezer compartment	12		

1 Your fridge/freezer



- | | |
|---|---------------------------------|
| 1. Freezing compartment | 5. Glass shelf |
| 2. Interior light & Thermostat knob | 6. Vegetable drawer |
| 3. Movable shelves | 7. Adjustable front feet |
| 4. Defrost water collection channel - Drain tube | 8. Door shelves |
| | 9. Table-top |

2 Important information

Please read through the following information. If this information is not followed, personal injury or material damage may occur and all warranty and reliability commitments will become invalid.

Intended use

- This product is designed for domestic use.
- It should not be used outdoors. It is not appropriate to use it outdoor even if the place is covered with a roof.

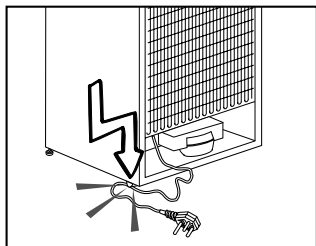
General safety

- When this product is worn-out you must not treat it as household waste. Instead it has to be handed over to the existing place of collection for the recycling of electrical and electronic equipment.
- Consult GRAM service for all your questions and problems related to the fridge/freezer.
- Vapor and vaporized cleaning materials should never be used in connection with the cleaning and defrosting of your refrigerator. In such cases, the vapor might get in contact with the electrical parts and cause short circuit or electric shock.
- Never use the equipment from your refrigerator such as the door as a support or a step.
- Do not damage the cooling circuit, where the refrigerant is circulating, with drilling or cutting tools. The refrigerant that might blow out when the gas channels of the evaporator, pipe extensions or surface coatings

are punctured may cause skin irritations and eye injuries.

- Do not cover or block the ventilation holes on your fridge/freezer.
- Repairs of the electrical appliances must only be made by authorised technicians. Repairs performed by unauthorised people may cause a risk for the user.
- In case of any failure, maintenance or repair, disconnect your fridge/freezer mains supply by either turning off the relevant fuse or by unplugging your appliance.
- Do not pull the cable when pulling out the plug.
- Flammable items or products that contain flammable gases (e.g. spray) as well as explosive materials must never be kept in the appliance.
- Do not use mechanical devices or other means to accelerate the defrosting process, other than the ones recommended by the manufacturer.
- Do not operate a damaged fridge/freezer. Consult GRAM service if you have any doubts.
- The electrical safety of your fridge/freezer will only be covered by the guarantee covered by the guarantee if the earth system in your house complies with standards.
- Exposing the product to rain, snow, sun and wind is dangerous with respect to electrical safety.
- Contact GRAM service when there is a power cable damage and etc. so that it will not create a danger for you.

- Never plug the fridge/freezer into the outlet during installation or a risk of death or serious injury may occur.
- This fridge/freezer is only designed for storing food. It should not be used for any other purposes.
- The label that describes the technical specification of the product is located on the inner left side of the fridge/freezer.
- Do not connect the fridge/freezer to electronic energy saving systems which turn off the electricity as they may damage the product.
- If the power supply is disconnected in manually controlled fridge/freezers please wait for at least 5 minutes before reconnecting the power.
- This user guide should be passed to the next owner of the fridge/freezer if the ownership changes.
- When moving the fridge/freezer make sure that you do not damage the power cord. In order to prevent fire the power cord must not be twisted. Heavy objects should not be placed on the power cord. When the fridge/freezer is plugged into the socket do not touch the power outlet with wet hands.
- Do not connect the fridge/freezer if the electric outlet is loose.
- Do not splash water directly on the outer or inner parts of the fridge/freezer.
- Do not spray inflammable materials such as propane gas etc. near the fridge/freezer due to the risk of fire and explosion.
- Do not place objects filled with water on top of the fridge/freezer as it may result in electric shock or fire.
- Do not overload the fridge/freezer with excess food. The excess food may fall out when the door is opened resulting in injuring you or damaging fridge/freezer. Do not place objects on top of the fridge/freezer as the objects may fall out when opening or closing the fridge/freezer door.
- If the fridge/freezer will not be operated for an extended period of time it should be unplugged. A problem in the electrical cable insulation may result in fire.
- The tip of the electric plug should be cleaned regularly otherwise it may cause fire.
- The fridge/freezer may move when the adjustable legs are not positioned firmly on the floor. By using the adjustable legs you can ensure that the fridge/freezer is positioned firmly on the floor.
- Do not pull the fridge/freezer by the door handle when moving the product as it may disconnect the handle from the fridge/freezer.



Child safety

- Children should be supervised to ensure that they do not play with the appliance.

HCA Warning

- **This product is equipped with a cooling system that contains R600a:**

This gas is flammable. Therefore, pay attention not to damage the cooling system and piping during usage and transportation. In the event of damage, keep your product away from potential fire sources that can cause the product to catch a fire and ventilate the room in which the unit is placed.

Energy-saving precautions

- Do not leave the door of your fridge/freezer open for a long time.
- Do not overload your fridge/freezer so that the air circulation inside of it is not prevented.
- Do not install your fridge/freezer under direct sunlight or near heat emitting appliances such as ovens, dishwashers or radiators.
- Pay attention to keep your food in closed containers.

3 Installation

⚠ Please remember that the manufacturer shall not be held liable if the information given in the user guide is not observed.

Points to be considered when re-transporting your fridge/freezer

1. Your fridge/freezer must be emptied and cleaned prior to any transportation.
2. Shelves, accessories, and etc. have to be fastened securely by adhesive tape against any jolt before repacking the appliance.
3. Packaging must be tied with thick tapes and strong ropes and the rules of transportation printed on the package must be followed.

Please do not forget...

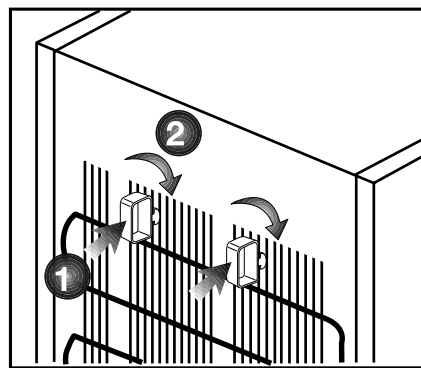
That recycled material is an indispensable source for the nature and for our national resources. If you would like to contribute to the recycling of the packaging, you can get further information from the environmental bodies or local authorities.

Before operating your fridge/freezer

Before starting to use your fridge/freezer, check the following:

1. The interior of the freezer has to be dry and it is possible for the air to circulate freely at the back of the appliance to circulate freely at the back of the appliance.

2. You can install the 2 spacers as illustrated in the figure. Spacers will provide the required distance between your fridge/freezer and the wall in order to allow the air circulation. (The illustration is only an example and does not match your product.)




3. Clean the interior of the freezer as recommended in the "Maintenance and cleaning" section.
4. Plug the refrigerator into the outlet. When the door is open the interior light in the refrigerator compartment will be switched on.
5. You will hear a noise as the compressor starts up. The liquid and gases sealed within the refrigeration system may also give rise to noise, even if the compressor is not running and this is quite normal.
6. The front edges of the fridge/freezer may feel warm. This is normal. These areas are designed to be warm to avoid condensation.

Electric connection

Connect your product to a grounded socket which is being protected by a fuse with the appropriate capacity.

Important:

- The connection must be in accordance with the national regulations.
- The power cable plug must be easily accessible after installation.
- Extension cords and connector must not be used for connection.

 A damaged power cable must be replaced by an authorised technician.

Disposing of the packaging

The packaging may be dangerous for children. Keep it out of the reach of children or dispose of it by classifying it in accordance with the waste instructions. Do not dispose of it together with the normal household waste.

The packaging of your fridge/freezer is made from recyclable materials.

Disposing of your old fridge/freezer

Dispose of your old fridge/freezer without harming the environment.

- You may consult your authorized retailer or the recycling depot in your municipality about the disposal of your fridge/freezer.

Before disposing of your fridge/freezer, cut out the electric plug and, if there are any locks on the door, make them inoperable in order to protect children against any danger.

Placing and installation

1. There must be appropriate air ventilation around your refrigerator in order to achieve an efficient operation.

2. Place your fridge/freezer on a level floor to prevent jolts.

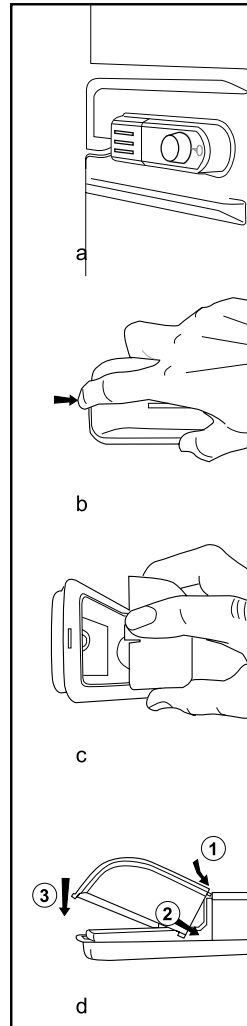
3. Do not keep your fridge/freezer in ambient temperatures under 10°C.

Replacing the interior light bulb

If the light should fail to work switch off at the socket outlet and pull out the mains plug. Follow the below instructions to check if the light bulb has worked itself loose.

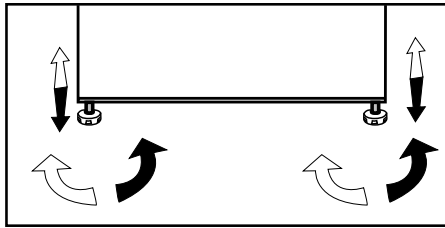
If the light still fails to work obtain a replacement E14 screw cap type 15 Watt (Max) bulb from your local electrical store and then fit it as follows:

1. Switch off the fridge/freezer at the outlet and pull out the mains plug. You may find it useful to remove the shelves for easy access.
2. Remove the light diffuser cover as shown in figure (a-b).
3. Replace the burnt-out light bulb.
4. Reassemble the light diffuser cover as shown in figure (c).
5. Carefully dispose of the burnt-out light bulb immediately.



Adjusting the legs

If your refrigerator is unbalanced you can balance your fridge/freezer by turning the front legs as shown in illustration below. The corner where the leg exists is lowered when you turn in the direction of black arrow and raised when you turn in the opposite direction. Getting help from someone to slightly lift the fridge/freezer will facilitate this process.



Installation (Under the counter)

(see the illustration on page 11)

- Internal height of the counter should be 820mm.

(!) Cookers or other heat sources must not be placed above the counter where the appliance is installed under the counter.

- The mains wall socket plug must be close to the right or left hand side of the appliance.

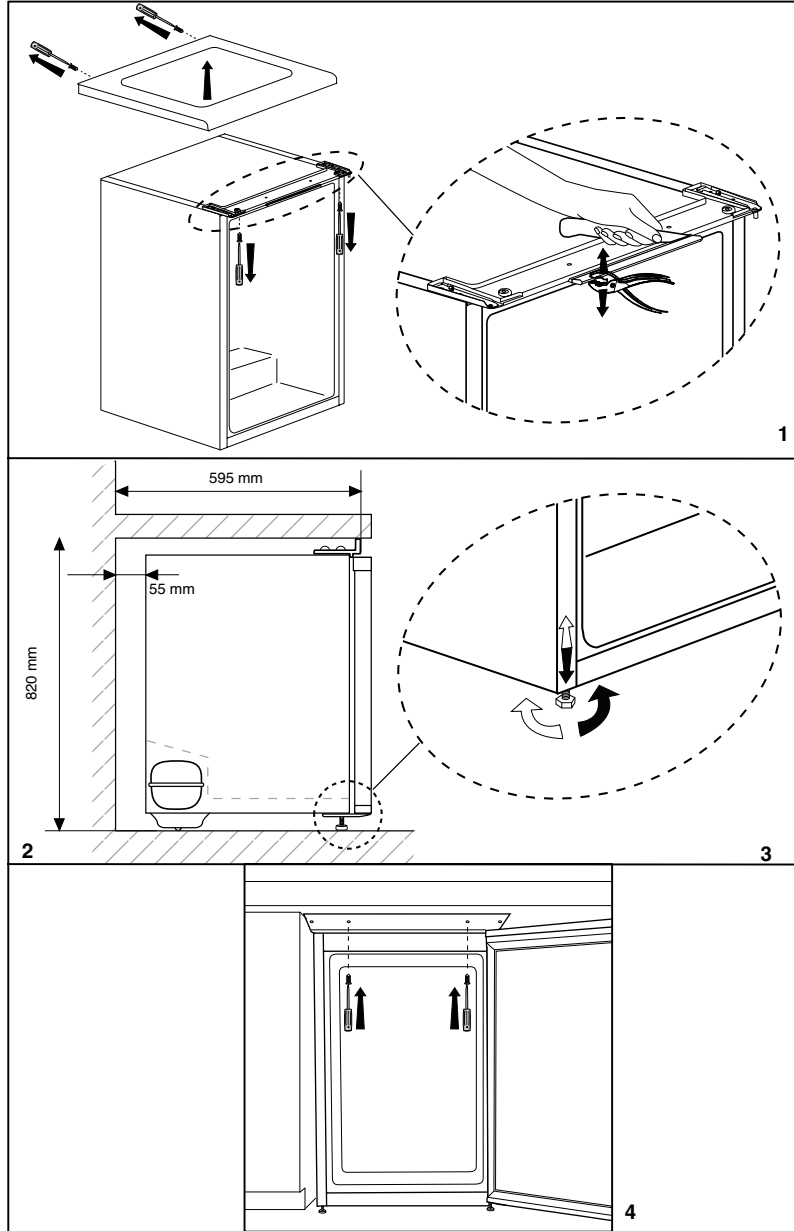
Fig. 1 • Remove the top cover of the appliance. There are 4 screws (2 pieces at the back, 2 pieces below the front edge) that should be removed.

Fig. 2-3 • Cut the part shown in the picture and then remove it by the help of pliers.

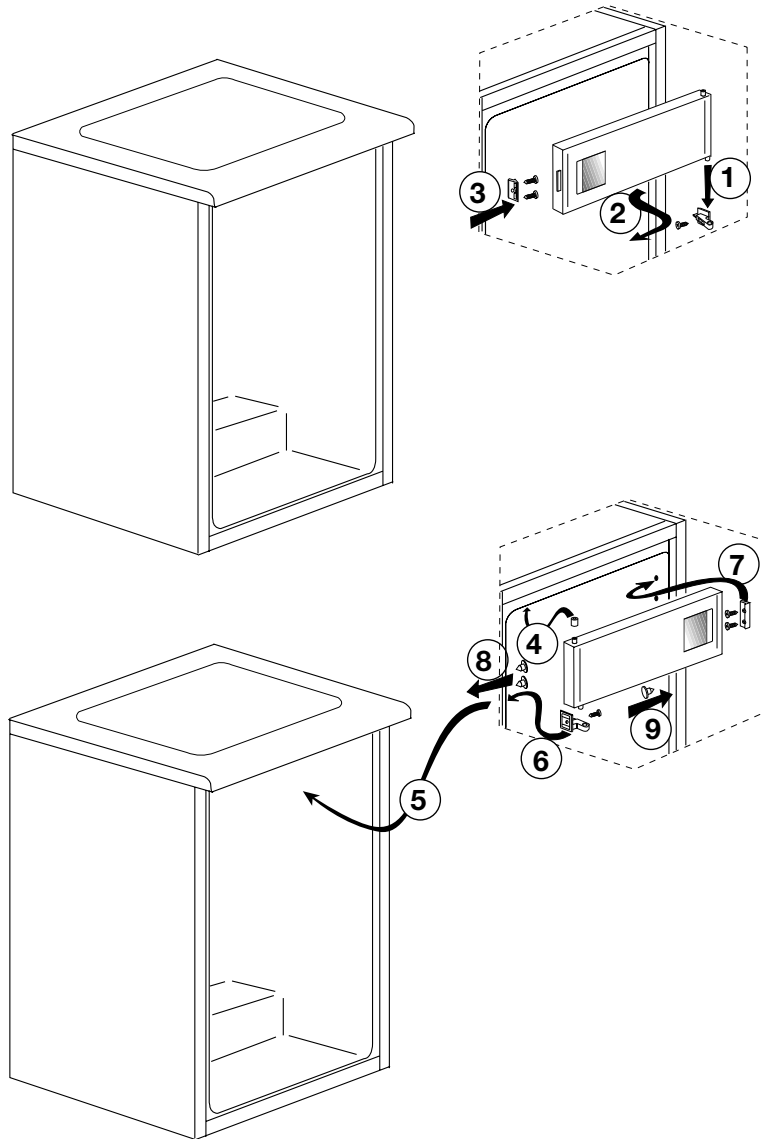
- Place you appliance under the counter and adjust the front feet until its top touches to the counter.

In order to use the product under the counter, the distance between the wall and the reference indicated in the top connection plastic must be minimum 595 mm.

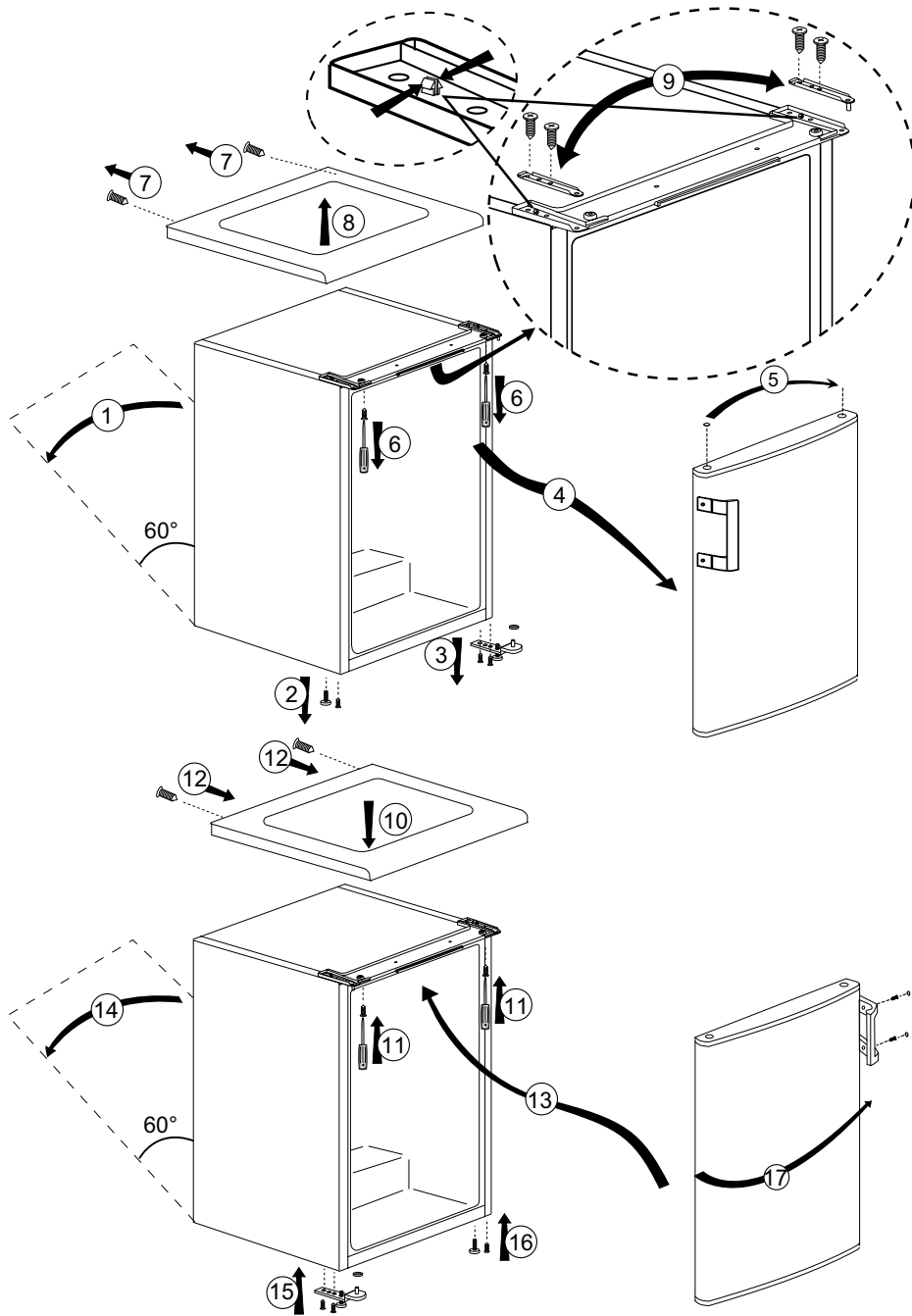
Fig. 4 • Fix the appliance under the counter by using 2 of the screws that was removed from the top cover. (Material of the counter must be plastics or wood based!)



How to reverse the door Door in the freezer compartment



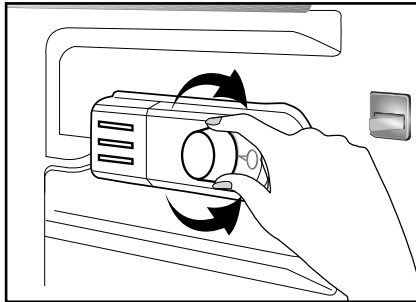
a



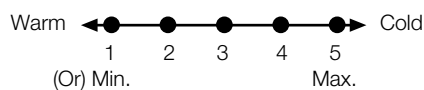
4 Preparation

- i** Your fridge/freezer should be installed at least 30 cm away from heat sources such as hobs, ovens, central heater and stoves and at least 5 cm away from electrical ovens and should not be located under direct sunlight.
- i** The ambient temperature of the room where you install your fridge/freezer should at least be 10°C. Operating your fridge/freezer under cooler conditions is not recommended with regard to its efficiency.
- i** Please make sure that the interior of your fridge/freezer is cleaned thoroughly.
- i** If you want to place two products side by side, e.g. a refrigerator and a freezer, as a side by side solution you have to use a decoration kit which contains a small mat and a decoration part. The mat is mounted on the side of one of the products to create a space between the products. The decoration part is placed between the products to hide the gap between the products (Fig. 2). The decoration kit is not a part of the product but can be delivered as an accessory.
- i** When you operate your fridge/freezer for the first time, please observe the following instructions during the initial six hour.
 - The door should not be opened frequently.
 - It must be operated empty without any food in it.
 - Do not unplug your fridge/freezer. If a power failure occurs out of your control, please see the warnings in the “Recommended solutions for the problems” section.
- i** Original packaging and foam materials should be kept for future transportations or moving.

5 Using your fridge/freezer



The operating temperature is regulated by the temperature control.



1 = Lowest cooling setting (Warmest setting)

5 = Highest cooling setting (Coldest setting)

(Or)

Min. = Lowest cooling setting (Warmest setting)

Max. = Highest cooling setting (Coldest setting)

The average temperature inside the fridge/freezer should be around +5°C.

Please choose the setting according to the desired temperature.

You can stop the operation of your appliance by turning the thermostat control to the "0" position.

Please note that there will be different temperatures in the cooling area.

The coldest area is just above the vegetable compartment.

The interior temperature also depends on ambient temperature, the frequency with which the door is opened and the amount of food kept inside.

Frequently opening the door causes the interior temperature to rise.

For this reason, it is recommended to close the door again as soon as possible after use.

Freezing

Freezing food

The freezing compartment is marked with this symbol. ❄️

You can use the appliance for freezing fresh food as well as for storing pre-frozen food.

Please refer to the recommendations on the packaging of your food.

• Attention

Do not freeze fizzy drinks, as the bottle may burst when the liquid in it is frozen.

Do not exceed the freezing capacity of your appliance in 24 hours. See the rating label.

In order to maintain the quality of the food, the freezing must be effected as rapidly as possible.

Thus, the freezing capacity will not be exceeded, and the temperature inside the freezer will not rise.

• Attention

Always keep the already deep-frozen food separated from fresh food.

When deep-freezing hot food, the cooling compressor will work until the food is completely frozen. This can temporarily cause excessive cooling of the refrigeration compartment.

If you find the freezer door difficult to open just after you have closed it, don't worry. This is due to the pressure difference which will equalize and allow the door to open normally after a few minutes.

You will hear a vacuum sound just after closing the door. This is quite normal.

Making ice cubes

Fill the ice-cube tray 3/4 full with water and place it in the freezer.

As soon as the water has turned into ice, you can take out the ice cubes.

Never use sharp objects such as knives or forks to remove the ice cubes. There is a risk of injury!

Instead let the ice cubes slightly thaw or place the bottom of the tray in hot water for a short moment.

Defrosting the appliance

Excessive build-up of ice will affect the freezing performance of your device.

It is therefore recommended that you defrost your appliance at least twice a year, or whenever the ice build-up exceeds 7 mm.

Defrost your device when there is only little or no food in it.

Take out the deep-frozen food. Wrap the deep-frozen food in several layers of paper, or a blanket, and keep it in a cold place.

Unplug the appliance or switch off the circuit breaker to start the defrosting process.

Take out the accessories (like shelf,

drawer etc.) from the appliance and use a suitable container to collect the thawing water.

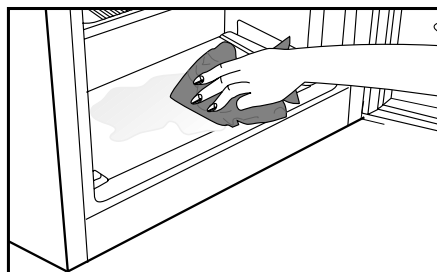
Use a sponge or a soft cloth to remove thawing water if necessary in the freezing compartment and frozen food compartment

Keep the door open during defrosting. For quicker defrosting place containers with warm water inside the appliance.

Never use electrical devices, defrosting sprays or pointed or sharp-edged object such as knives or forks to remove the ice.

Reconnect the appliance to the mains. Place the frozen food in the freezer.

After the defrosting is done, clean the inside.



Cooling

Food storage

The fridge compartment is for the short-term storage of fresh food and drinks.

Store milk products in the intended compartment in the fridge/freezer.

Bottles can be stored in the bottle holder or in the bottle shelf of the door.

Raw meat is best kept in a polyethylene bag in the compartment at the very bottom of the refrigerator.

• Attention

Do not store explosive substances or containers with flammable propellant gases (such as canned cream, spray cans etc.) in the appliance.

There is a danger of explosion.

Using the interior compartments

Removable shelves: The distance between the shelves can be adjusted when necessary.

The vegetable drawer: Vegetables and fruits can be stored in this compartment.

The bottle shelf: Bottles, jars and tins can be placed in this shelf.

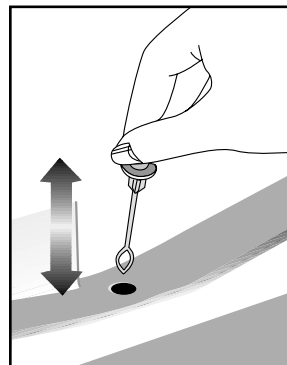
Defrosting the appliance

The fridge compartment defrosts automatically. The thawing water flows through the drain channel into a collection container at the back of the appliance.

During defrosting water droplets form at the back wall of the fridge due to the evaporation.

If not all of the drops run down, they may freeze again after defrosting completes. Remove them with a soft cloth dampened with warm water. Do not use hard or sharp objects.

Check the flow of the thawed water from time to time. It may become blocked occasionally. Clean it with a cotton bud or a similar implement.



6 Maintenance and cleaning

- ⚠ Never use gasoline, benzene or similar substances for cleaning purposes.
- ⚠ We recommend that you unplug the freezer before cleaning.
- Never use any sharp abrasive instrument, soap, household cleaner, detergent and wax polish for cleaning.
- Use lukewarm water to clean the cabinet of your fridge/freezer and wipe it dry.
- Use a damp cloth wrung out in a solution of one teaspoon of bicarbonate of soda to one pint of water to clean the interior and wipe it dry.
- If your fridge/freezer is not going to be used for a long period of time, unplug the power cable, remove all food, clean it and leave the door ajar.
- Check door seals regularly to ensure they are clean and free from food particles.

Protection of plastic surfaces

- Do not put liquid oils or oil-cooked meals in your fridge/freezer in unsealed containers as they may damage the plastic surfaces of your freezer. In case of spilling or smearing oil on the plastic surfaces, clean and rinse the relevant part of the surface at once with warm water.

7 Recommended solutions for the problems

Please review this list before calling the GRAM service. It might save you time and money. This list includes frequent complaints that are not arising from defective workmanship or material usage. Some of the features described here may not exist in your product.

The fridge/freezer does not operate.
<ul style="list-style-type: none">• Is the fridge/freezer properly plugged in? Insert the plug to the wall socket.• Is the fuse of the socket to which your fridge/freezer is connected to or the main fuse blown out? Check the fuse.
Condensation on the side wall of the freezer.
<ul style="list-style-type: none">• Very cold ambient conditions. Frequent opening and closing of the door. Highly humid ambient conditions. Leaving the door ajar. Switching the thermostat control to a colder temperature.• Decreasing the time the door is left open or using it less frequently.• Wipe the condensation using a dry cloth and check if it persists.
The compressor is not running
<ul style="list-style-type: none">• In case of an electrical cut the freezer cannot start up right away as the compressor has to balance the refrigerant pressure in the cooling system of the freezer. The alignment of the refrigerant pressure will lead to a postponement of the start up by 6 minutes. Please contact GRAM service if the freezer does not start up at the end of this period.• The fridge/freezer is in the defrost cycle. This is normal for a full-automatically defrosting fridge/freezer. The defrosting cycle occurs periodically.• Your fridge/freezer is not plugged into the socket. Make sure that the plug fits properly into the socket.• Are the temperature adjustments correctly made?• The power might be cut off.

The freezer is running frequently or for a long time.
<ul style="list-style-type: none"> • Your new product may be wider than the previous one. This is quite normal. Large freezers operate for a longer period of time. • The ambient room temperature may be high. This is quite normal. • The fridge/freezer might have been plugged in recently or might have been loaded with food. Cooling down of the fridge/freezer completely may last for a couple of hours longer. • Large amounts of hot food might have been put in the fridge/freezer recently. Hot food causes longer running of the fridge/freezer until it reaches the safe storage temperature. • The door might have been opened frequently or left ajar for a long time. The warm air that has entered into the fridge/freezer causes the fridge/freezer to run for longer periods of time. Open the door less frequently. • The freezer door might have been left ajar. Check if the door are tightly closed. • The freezer is adjusted to a very low temperature. Adjust the freezer temperature to a warmer degree and wait until the temperature is achieved. • The door seal of the freezer may be soiled, worn out, broken or not placed properly. Clean or replace the seal. A damaged or broken sea causes the freezer to run for a longer period of time in order to maintain the current temperature.
The freezer kept in the fridge compartment drawers are freezing.
<ul style="list-style-type: none"> • The fridge temperature might have been adjusted to a very low temperature. Adjust the fridge temperature to a warmer degree and check.
The fridge in the freezer is very high.
<ul style="list-style-type: none"> • The fridge temperature might have been adjusted to a very high degree. Change the temperature of the freezer until the freezer temperature reaches to a sufficient level. • The door might have been opened frequently or left ajar for a long time; open it less frequently. • The door might have been left ajar; close the door completely. • Large amount of hot food might have been placed in the fridge/freezer recently. Wait until the fridge reaches the desired temperature. • The fridge/freezer might have been plugged in recently. Cooling down of the refrigerator completely takes time.
The operation noise increases when the fridge/freezer is running.
<ul style="list-style-type: none"> • The operating performance of the fridge/freezer may change due to the changes in the ambient temperature. It is normal and not a fault.

Vibrations or noise.
<ul style="list-style-type: none"> The floor is not level or it is weak. The fridge/freezer rocks when moved slowly. Make sure that the floor is strong enough to carry the fridge/freezer, and that the floor is level. The noise may be caused by the items put onto the fridge/freezer. Items on top of the refrigerator should be removed.
There are noises coming from the fridge/freezer like liquid spilling or spraying.
<ul style="list-style-type: none"> Liquid and gas flows happen in accordance with the operating principles of your fridge/freezer. It is normal and not a fault.
There is a noise like wind blowing.
<ul style="list-style-type: none"> Fans are used in order to cool the fridge/freezer. It is normal and not a fault.
Condensation on the inner walls of the refrigerator.
<ul style="list-style-type: none"> Hot and humid weather increases icing and condensation. It is normal and not a fault. The doors might have been left ajar; make sure that the doors are closed fully. The doors might have been opened frequently or left ajar for a long time; open it less frequently.
Humidity occurs on the outside of the fridge/freezer o between the doors.
<ul style="list-style-type: none"> There might be humidity in the air; this is quite normal in humid weather. When the humidity is less, condensation will disappear.
A bad odor inside the fridge compartment.
<ul style="list-style-type: none"> The interior of the fridge compartment must be cleaned. Clean the the interior of the fridge compartment with a sponge, lukewarm water or carbonated water. Some containers or packaging might cause the smell. Use a different container or different brand packaging..
The door is not closing.
<ul style="list-style-type: none"> Food packaging may prevent the door from closing. Replace the packaging that are obstructing the door. The fridge/freezer is not completely upright on the floor and rocking when slightly moved. Adjust the legs. The floor is not level or strong. Make sure that the floor is level and capable to carry the fridge/freezer.
The vegetable is stuck.
<ul style="list-style-type: none"> The food might be touching the ceiling of the drawer. Rearrange food in the drawer.