

GRAM

FS3105-90

Freezer

User Guide



Please read this user guide first!

Dear customer,

Your product has been produced in modern plants and checked under the most meticulous quality control and we hope that your product, will provide you with an effective service.

We recommend you to carefully read the entire user guide before using your product and to keep the user guide at hand for future references.




This user guide

- Will help you to use your appliance in a fast and safe way.
- Read the user guide before installing and operating your product.
- Follow the instructions, especially those for safety.
- Keep the user guide in an easily accessible place as you may need it later.
- Besides, read also the other documents provided with your product.

Please note that this user guide may be valid for other models as well.

Symbols and their descriptions

This user guide contains the following symbols:

-  Important information or useful tips.
-  Warning against dangerous conditions for life and property.
-  Warning against electric voltage.



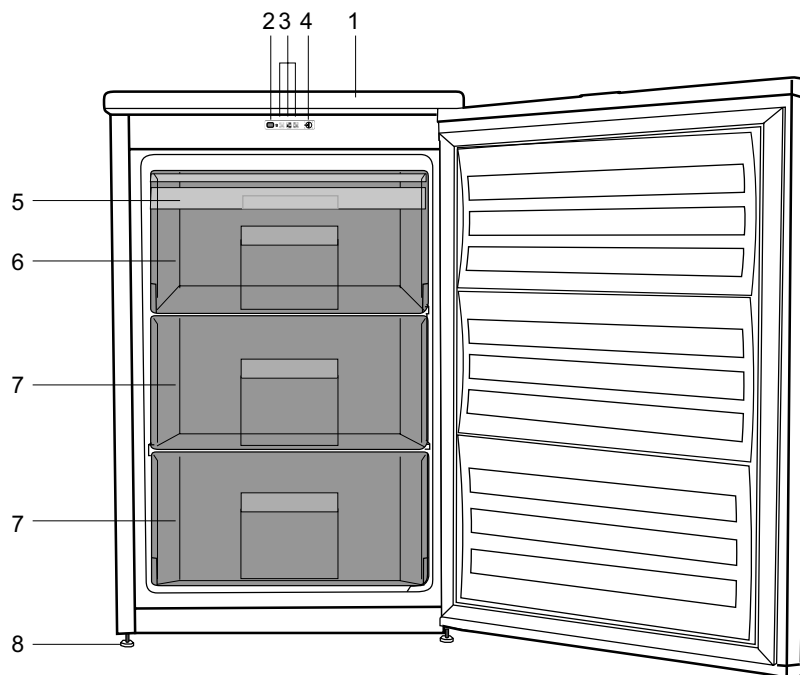
This product is supplied with the selective sorting symbol for waste electrical and electronic equipment (WEEE).

This means that this product must be handled pursuant to European Directive 2002/96/EC in order to be recycled or dismantled to minimise its impact on the environment. For further information, please contact your local or regional authorities.

Electronic products not included in the selective sorting process are potentially dangerous for the environment and human health due to the presence of hazardous substances.

1 Your Freezer	3	4 Preparation	11
2 Important Safety Warnings	4	5 Using your freezer	12
Intended use	4	LED indicators and control panel	12
General safety	4	Setting the operating temperature ...	13
HCA Warning	6	6 Maintenance and cleaning	16
Energy-saving precautions.....	6	Protection of plastic surfaces	16
3 Installation	7	7 Recommended solutions for the problems	17
Points to be considered when re-transporting your freezer.....	7		
Before operating your refrigerator	7		
Disposing of the packaging	8		
Disposing of your old freezer	8		
Placing and Installation	8		
Reversing the door	9		

1 Your Freezer



1. Table-top
2. Fast-Freeze switch
3. Indicator lights
4. Thermostat knob
5. Ice tray
6. Fast-freeze compartment
7. Frozen-food compartments
8. Adjustable front feet

i Figures that take place in this instruction manual are schematic and may not correspond exactly with your product. If the subject parts are not included in the product you have purchased, then it is valid for other models.

2 Important Safety Warnings

Please read through the following information. If this information is not followed, personal injury or material damage may occur and all warranty and reliability commitments will become invalid.

Intended use

- This product is designed for domestic use.
- It should not be used outdoors. It is not appropriate to use it outdoor even if the place is covered with a roof.

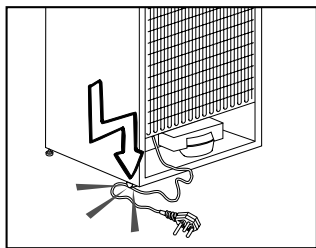
General safety

- When you want to dispose of the product, we recommend you to consult the authorized service in order to get information on disposal and available facilities.
- Consult GRAM service for all your questions and problems related to the refrigerator.
- Vapor and vaporized cleaning materials should never be used in connection with the cleaning and defrosting of your refrigerator. In such cases, the vapor might get in contact with the electrical parts and cause short circuit or electric shock.
- Never use the equipment from your refrigerator such as the door as a support or a step.
- Do not use electrical devices inside the freezer.
- Do not damage the cooling circuit, where the refrigerant is circulating, with drilling or cutting tools. The refrigerant that might blow out when the gas channels of the evaporator,

pipe extensions or surface coatings are punctured may cause skin irritations and eye injuries.

- Do not cover or block the ventilation holes on your refrigerator with any material.
- Repairs of the electrical appliances must only be made by qualified people. Repairs performed by unqualified people may cause a risk for the user.
- In case of any failure, maintenance or repair, disconnect your refrigerator's mains supply by either turning off the relevant fuse or by unplugging your appliance.
- Do not pull the cable when pulling out the plug.
- Flammable items or products that contain flammable gases (e.g. spray) as well as explosive materials must never be kept in the appliance.
- Do not use mechanical devices or other means to accelerate the defrosting proces, other than the ones recommended by the manufacturer.
- Do not operate a damaged freezer. Consult GRAM service if you have any doubts.
- Electrical safety of your will only be covered by the guaranteebe covered by the guarantee if the earth system in your house complies with standards.
- Exposing the product to rain, snow, sun and wind is dangerous with respect to electrical safety.
- Contact the GRAM service when there is a power cable damage and etc. so that it will not create a danger for you.

- Never plug the freezer into the outlet during installation or a risk of death or serious injury may occur.
- This freezer is only designed for storing food. It should not be used for any other purposes.
- The label that describes the technical specification of the product is located on the inner left side of the freezer.
- Do not connect the freezer to electronic energy saving systems which turn off the electricity as they may damage the product.
- If the power supply is disconnected in manually controlled freezers please wait for at least 5 minutes before reconnecting the power.
- This user guide should be passed to the next owner of the freezer if the ownership changes.
- When moving the freezer make sure that you do not damage the power cord. In order to prevent fire the power cord must not be twisted. Heavy objects should not be placed on the power cord. When the freezer is plugged into the socket do not touch the power outlet with wet hands.
- Do not spray inflammable materials such as propane gas etc near the freezer due to the risk of fire and explosion.
- Do not place objects filled with water on top of the freezer as it may result in electric shock or fire.
- Do not overload the freezer with excess food. The excess food may fall out when the door is opened resulting in injuring you or damaging the freezer. Do not place objects on top of the refrigerator as the objects may fall out when opening or closing the freezer door.
- If the freezer will not be operated for an extended period of time it should be unplugged. A problem in the electrical cable insulation may result in fire.
- The tip of the electric plug should be cleaned regularly otherwise it may cause fire.
- The freezer may move when the adjustable feet are not positioned firmly on the floor. By using the adjustable feet you can ensure that the freezer is positioned firmly on the floor.



- Do not connect the freezers if the electric outlet is loose.
- Do not splash water directly on the outer or inner parts of the freezer due to safety.
- Do not pull the freezer by the door handle when moving the product as it may disconnect the handle from the refrigerator.
- If you want to place two products side by side, we recommend you to buy a decoration kit, which includes a mat to be placed on the side of the product. A decoration part is placed between the products to hide the gap between the products.

Child safety

- Children should be supervised to ensure that they do not play with the appliance

HCA Warning

- **This product is equipped with a cooling system that contains R600a:**

This gas is flammable. Therefore, pay attention not to damage the cooling system and piping during usage and transportation. In the event of damage, keep your product away from potential fire sources that can cause the product to catch a fire and ventilate the room in which the unit is placed.

Energy-saving precautions

- Do not leave the door of your freezer open for a long time.
- Do not overload your freezer so that the air circulation inside of it is not prevented.
- Do not install your freezer under direct sunlight or near heat emitting appliances such as ovens, dishwashers or radiators.
- Pay attention to keep your food in closed containers.

3 Installation

⚠ Please remember that the manufacturer shall not be held liable if the information given in the user guide is not observed.

Points to be considered when re-transporting your freezer

1. Your freezer must be emptied and cleaned prior to any transportation.
2. Shelves, accessories, and etc. have to be fastened securely by adhesive tape against any jolt before repackaging.
3. Packaging must be tied with thick tapes and strong ropes and the rules of transportation printed on the package must be followed.

Please do not forget...

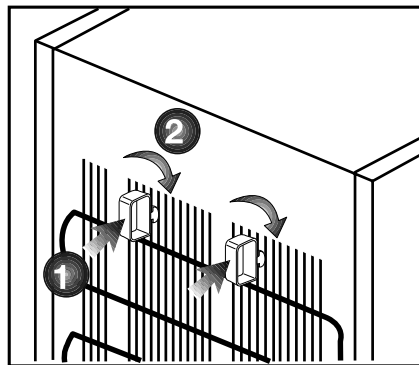
That recycled material is an indispensable source for the nature and for our national resources. If you would like to contribute to the recycling of the packaging materials, you can get further information from the environmental bodies or local authorities.

Before operating your refrigerator

Before starting to use your freezer check the following:

1. The interior of the refrigerator has to be dry and it is possible for the air to circulate freely at the back of the appliance.
2. You can install the 2 spacers as illustrated in the figure. Spacers will provide the required distance between

your freezer and the wall in order to allow the air circulation. (The illustrated figure is only an example and does not match exactly with your product.)




3. Clean the interior of the freezer as recommended in the "Maintenance and cleaning" section.
4. Plug the freezer into the outlet. When the freezer door is open the interior light in the freezer will be switched on.
5. You will hear a noise as the compressor starts up. The liquid and gases sealed within the refrigeration system may also give rise to noise, even if the compressor is not running and this is quite normal.
6. The front edges of the freezer may feel warm. This is normal. These areas are designed to be warm to avoid condensation.

Electric connection

Connect your product to a grounded socket which is being protected by a fuse with the appropriate capacity.

Important:

- The connection must be in accordance with national regulations.
- The power cable plug must be easily accessible after installation.
- Extension cords and connectors must not be used for connection.

 A damaged power cable must be replaced by a qualified electrician.

Disposing of the packaging

The packaging may be dangerous for children. Keep it out of the reach of children or dispose of it by classifying it in accordance with the waste instructions. Do not dispose of it together with the normal household waste.

The packaging of your refrigerator is made from recyclable materials.

Disposing of your old freezer

Dispose of your old freezer without harming the environment.

- You may consult your authorized retailer or the recycling depot in your municipality about the disposal of your freezer.

Before disposing of your freezer, cut out the electric plug and, if there are any locks on the door, make them inoperable in order to protect children against any danger.

Placing and Installation

1. Install your freezer in a place that allows ease of use.

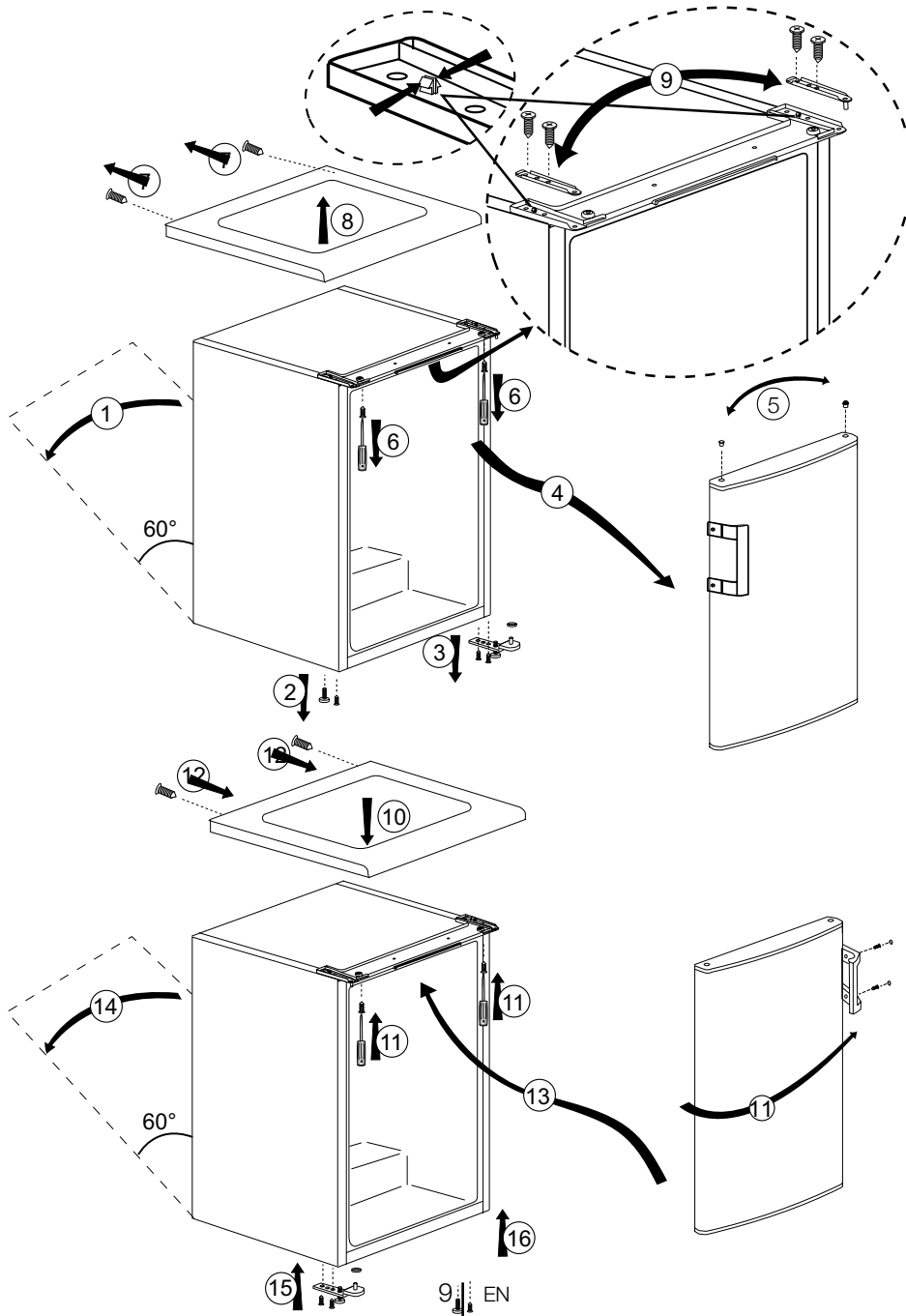
2. There must be appropriate air ventilation around your refrigerator in order to achieve an efficient operation.

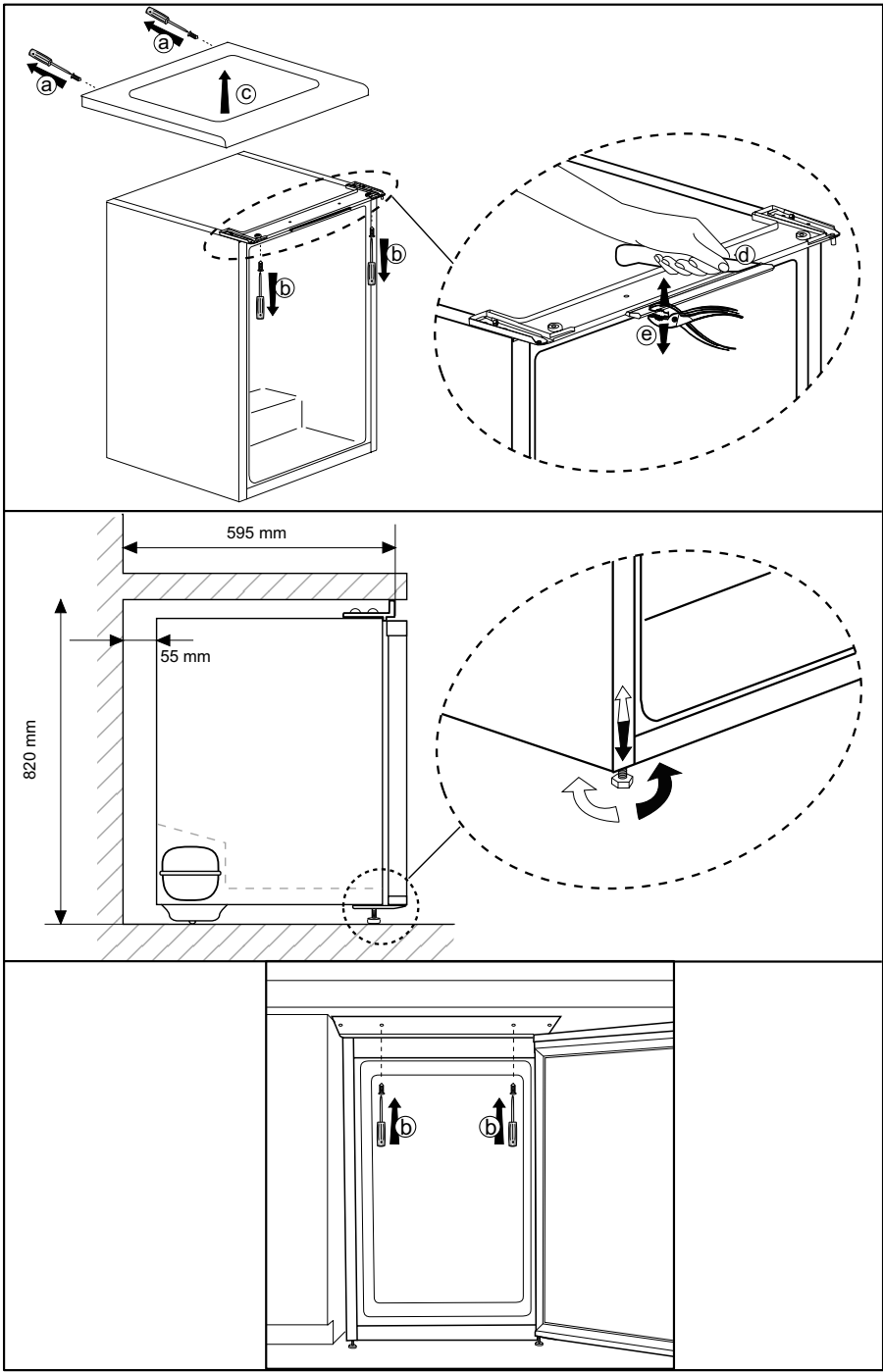
3. Place your freezer on an even floor surface to prevent jolts.

4. Do not keep your freezer in ambient temperatures under 10°C.

Reversing the door

Proceed in numerical order



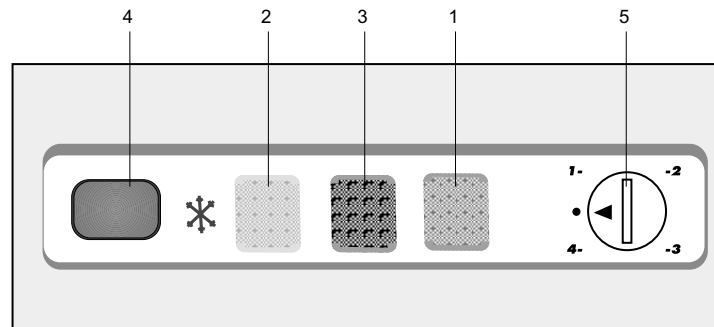


4 Preparation

- i** Your freezer should be installed at least 30 cm away from heat sources such as hobs, ovens, central heater and stoves and at least 5 cm away from electrical ovens and should not be located under direct sunlight.
- i** The ambient temperature of the room where you install your freezer should at least be 10°C. Operating your freezer under cooler conditions than this is not recommended with regard to its efficiency.
- i** Please make sure that the interior of your freezer is cleaned thoroughly.
- i** When you operate your freezer for the first time, please observe the following instructions during the initial six hours.
 - The door should not be opened frequently.
 - It must be operated empty without any food in it.
 - Do not unplug your freezer. If a power failure occurs out of your control, please see the warnings in the “Recommended solutions for the problems” section.
- i** Original packaging and foam materials should be kept for future transportations or moving.
- i** If two freezers are to be installed side by side, there should be at least 2 cm distance between them.

5 Using your freezer

LED indicators and control panel



There are three coloured indicator lights located on the front of the appliance which shows the operating mode of the freezer.

Green Indicator (1): Illuminates when the appliance is connected to the mains and will glow as long as electricity is available. The green light will not glow if the thermostat is set to '0' position. The green indicator does not give any indication of the temperature inside the freezer.

Yellow Indicator (2): This indicator will glow when the fast freeze switch is on and will continue to glow until the fast freeze switch is turned off. The compressor will run continuously while fast freeze switch is on. Fast freeze operation is for freezing fresh food.

Red Indicator (3) Illuminates:

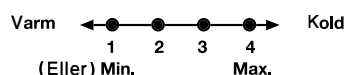
- If the pre-set temperature cannot be maintained.
- If excessive amounts of fresh food are placed inside.
- If the appliance door is left open accidentally.

Thermostat knob (5) Thermostat knob is located on the indicator light set.

IMPORTANT: When you press the fast freeze switch, there may be a short delay before the compressor starts to operate. This is normal and does not indicate a compressor fault.

Setting the operating temperature

The operating temperature is regulated by the temperature control.



1 = Lowest cooling setting (Warmest setting)

4 = Highest cooling setting (Coldest setting)

(Or)

Min. = Lowest cooling setting (Warmest setting)

Max. = Highest cooling setting (Coldest setting)

Please choose the setting according to the desired temperature.

The interior temperature also depends on ambient temperature, the frequency with which the door is opened and the amount of food kept inside.

Frequently opening the door causes the interior temperature to rise.

For this reason, it is recommended to close the door again as soon as possible after use.

The normal storage temperature of your appliance should be $-18\text{ }^{\circ}\text{C}$ ($0\text{ }^{\circ}\text{F}$). If the thermostat knob is turned counter clockwise from position 1, the appliance will be switched off and "click" sound will be heard. Lower temperatures can

be obtained by adjusting the thermostat knob towards Position 4.

We recommend checking the temperature with a thermometer to ensure that the storage compartments are kept to the desired temperature.

Remember to take the reading immediately since the thermometer temperature will rise very rapidly after you remove it from the freezer.

Freezing food

You can use the appliance for freezing fresh food as well as for storing pre-frozen food.

Please refer to the recommendations given on the packaging of your food.

⚠ Attention

Do not freeze fizzy drinks, as the bottle may burst when the liquid in it is frozen.

Do not exceed the freezing capacity of your appliance in 24 hours. See the rating label.

In order to maintain the quality of the food, the freezing must be effected as rapidly as possible.

Thus, the freezing capacity will not be exceeded, and the temperature inside the freezer will not rise.

⚠ Attention

Keep the already deep-frozen food always separated with freshly placed food.

When deep-freezing hot food, the cooling compressor will work until the food is completely frozen.

If you find the freezer door difficult to open just after you have closed it, don't worry. This is due to the pressure

difference which will equalize and allow the door to open normally after a few minutes.

You will hear a vacuum sound just after closing the door. This is quite normal.

Making ice cubes

Fill the ice-cube tray 3/4 full with water and place it in the freezer.

As soon as the water has turned into ice, you can take out the ice cubes.

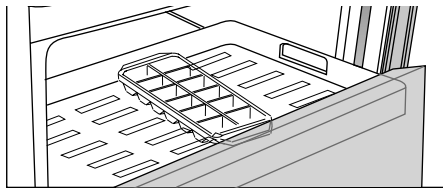
Never use sharp objects such as knives or forks to remove the ice cubes. There is a risk of injury!

Let the ice cubes slightly thaw instead, or put the bottom of the tray in hot water for a short moment.

Fast freeze

If large amounts of fresh food are going to be frozen, push the fast freeze switch 24 hours before putting the fresh food in the fast freeze compartment.

It is strongly recommended to keep fast freeze switch on 24 hours to freeze maximum amount of fresh food declared as freezing capacity. Take



special care not to mix frozen food and fresh food.

Defrosting of the appliance

Excessive build-up of ice will affect the freezing performance of your appliance.

It is therefore recommended that you defrost your appliance at least twice a year, or whenever the ice build-up exceeds 7 mm.

Defrost your appliance when there is only little or no food in it.

Take out the deep-frozen food from the drawers. Wrap the deep-frozen food in several layers of paper, or a blanket, and keep it in a cold place.

Unplug the appliance or switch off the circuit breaker to start the defrosting process.

Take out the accessories (like shelf, drawer etc.) from the appliance and use a suitable container to collect the thawing water.

Use a sponge or a soft cloth to remove thawing water if necessary

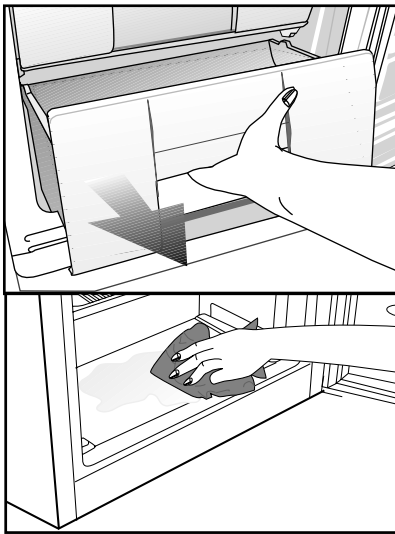
Keep the door open during defrosting. For quicker defrosting, place containers with warm water inside the appliance.

Never use electrical devices, defrosting sprays or pointed or sharp-

edged objects such as knives or forks to remove the ice.

After the defrosting is done, clean the inside (see the section 'Maintenance and cleaning').

Reconnect the appliance to the mains.



6 Maintenance and cleaning

- ⚠ Never use gasoline, benzene or similar substances for cleaning purposes.
- ⚠ We recommend that you unplug the appliance before cleaning.
- ⚠ Never use any sharp abrasive instrument, soap, household cleaner, detergent and wax polish for cleaning.
- ℹ Use lukewarm water to clean the cabinet of your refrigerator and wipe it dry.
- ℹ Use a damp cloth wrung out in a solution of one teaspoon of bicarbonate of soda to one pint of water to clean the interior and wipe it dry.
- ⚠ Make sure that no water enters the lamp housing and other electrical items.
- ⚠ If your refrigerator is not going to be used for a long period of time, unplug the power cable, remove all food, clean it and leave the door ajar.
- ℹ Check door seals regularly to ensure they are clean and free from food particles.

Protection of plastic surfaces

- ℹ Do not put the liquid oils or oil-cooked meals in your refrigerator in unsealed containers as they damage the plastic surfaces of your refrigerator. In case of spilling or smearing oil on the plastic surfaces, clean and rinse the relevant part of the surface at once with warm water.

7 Recommended solutions for the problems

Please review this list before calling the GRAM service. It might save you time and money. This list includes frequent complaints that are not arising from defective workmanship or material usage. Some of the features described here may not exist in your product.

The freezer does not operate.
<ul style="list-style-type: none">• Is the freezer properly plugged in? Insert the plug to the wall socket.• Is the fuse of the socket to which your freezer is connected to or the main fuse blown out? Check the fuse.
Condensation on the side wall of the freezer.
<ul style="list-style-type: none">• Very cold ambient conditions. Frequent opening and closing of the door. Highly humid ambient conditions. Leaving the door ajar. Switching the thermostat control to a colder temperature.• Decreasing the time the doors is left open or using it less frequently.• Wipe the condensation using a dry cloth and check if it persists.
The compressor is not running
<ul style="list-style-type: none">• In case of an electrical cut the freezer cannot start up right away as the compressor has to balance the refrigerant pressure in the cooling system of the freezer. The alignment of the refrigerant pressure will lead to a postponement of the start up by 6 minutes. Please contact GRAM service if the freezer does not start up at the end of this period.• The freezer is in the defrost cycle. This is normal for a full-automatically defrosting freezer. The defrosting cycle occurs periodically.• Your freezer is not plugged into the socket. Make sure that the plug fits properly into the socket.• Are the temperature adjustments correctly made?• The power might be cut off.

<p>The freezer is running frequently or for a long time.</p> <ul style="list-style-type: none"> • Your new product may be wider than the previous one. This is quite normal. Large freezers operate for a longer period of time. • The ambient room temperature may be high. This is quite normal. • The freezer might have been plugged in recently or might have been loaded with food. Cooling down of the freezer completely may last for a couple of hours longer. • Large amounts of hot food might have been put in the freezer recently. Hot food causes longer running of the freezer until it reaches the safe storage temperature. • The door might have been opened frequently or left ajar for a long time. The warm air that has entered into the freezer causes the freezer to run for longer periods of time. Open the door less frequently. • The freezer door might have been left ajar. Check if the door is tightly closed. • The freezer is adjusted to a very low temperature. Adjust the freezer temperature to a warmer degree and wait until the temperature is achieved. • The door seal of the freezer may be soiled, worn out, broken or not placed properly. Clean or replace the seal. A damaged or broken sea causes the freezer to run for a longer period of time in order to maintain the current temperature.
<p>The food kept in the fridge compartment drawers are freezing.</p> <ul style="list-style-type: none"> • The fridge temperature might have been adjusted to a very low temperature. Adjust the fridge temperature to a warmer degree and check.
<p>The temperature in the freezer is very high.</p> <ul style="list-style-type: none"> • The fridge temperature might have been adjusted to a very high degree. Change the temperature of the freezer until the freezer temperature reaches to a sufficient level. • The door might have been opened frequently or left ajar for a long time; open it less frequently. • The door might have been left ajar; close the door completely. • Large amount of hot food might have been put in the refrigerator recently. Wait until the fridge reaches the desired temperature. • The refrigerator might have been plugged in recently. Cooling down of the refrigerator completely takes time.
<p>The operation noise increases when the refrigerator is running.</p> <ul style="list-style-type: none"> • The operating performance of the refrigerator may change due to the changes in the ambient temperature. It is normal and not a fault.

Vibrations or noise.
<ul style="list-style-type: none"> • The floor is not level or it is weak. The refrigerator rocks when moved slowly. Make sure that the floor is strong enough to carry the freezer, and that the floor is level. • The noise may be caused by the items put onto the refrigerator. Items on top of the refrigerator should be removed.
There are noises coming from the refrigerator like liquid spilling or spraying.
<ul style="list-style-type: none"> • Liquid and gas flows happen in accordance with the operating principles of your refrigerator. It is normal and not a fault.
There is a noise like wind blowing.
<ul style="list-style-type: none"> • Fans are used in order to cool the refrigerator. It is normal and not a fault.
Condensation on the inner walls of the refrigerator.
<ul style="list-style-type: none"> • Hot and humid weather increases icing and condensation. It is normal and not a fault. • The door might have been left ajar; make sure that the door is closed fully. • The door might have been opened frequently or left ajar for a long time; open it less frequently.
Humidity occurs on the outside of the refrigerator
<ul style="list-style-type: none"> • There might be humidity in the air; this is quite normal in humid weather. When the humidity is less, condensation will disappear.
A bad odor inside the refrigerator.
<ul style="list-style-type: none"> • The interior of the refrigerator must be cleaned. Clean the the interior of the refrigerator with a sponge, lukewarm water or carbonated water. • Some containers or packaging might cause the smell. Use a different container or different brand packaging..
The door is not closing.
<ul style="list-style-type: none"> • Food packaging may prevent the door from closing. Replace the packaging that are obstructing the door. • The refrigerator is not completely upright on the floor and rocking when slightly moved. Adjust the elevation screws. • The floor is not level or strong. Make sure that the floor is level and capable to carry the refrigerator.
The vegetable drawers are stuck.
<ul style="list-style-type: none"> • The food might be touching the ceiling of the drawer. Rearrange food in the drawer.